



INTEGRALES ISLAS TENERIFE



- + MONOCASCO / MONOHULL / MONOCOQUE
- + OPTIMIZACIÓN ESPACIO VENTA / RETAIL FOOTPRINT OPTIMIZATION / RETAIL FOOTPRINT OPTIMISATION
- + VISIÓN PRODUCTO / PRODUCT VISIBILITY / VISIBILITÉ PRODUITS
- CONSUMO / CONSUMPTION / CONSOMMATION

VERSIONES
3L1

VERSIONES
3M0

TENERIFE

ISLA INTEGRAL
PLUG-IN ISLAND
ILOT GROUPE LOGÉ

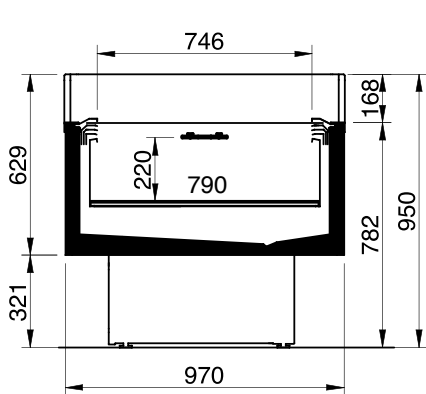


ABIERTAS / OPEN / OUVERTS

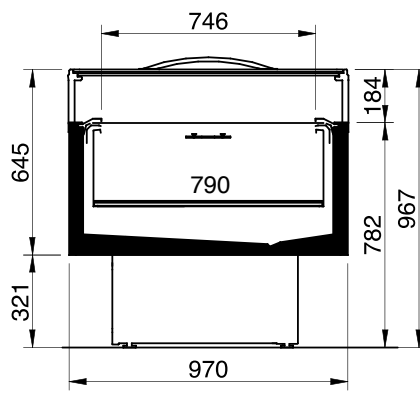
| ISLAS TENERIFE | Módulo / Module (mm) | | | Altura / Height / Hauteur | Cuba / Basetray / Cuve | Profundidad / Depth / Profondeur |
|----------------|----------------------|----------|----------|---------------------------|------------------------|----------------------------------|
| IG1 | | | | | | |
| IG5 | 2 (1510) | 3 (2010) | 4 (2510) | 950 mm | 790 mm | 970 mm |
| IG15 | | | | | | |

SOSTENIBLE / SUSTAINABLE / DURABLE

| ISLAS TENERIFE | Módulo / Module (mm) | | | Altura / Height / Hauteur | Cuba / Basetray / Cuve | Profundidad / Depth / Profondeur |
|----------------|----------------------|----------|----------|---------------------------|------------------------|----------------------------------|
| SIG1 | | | | | | |
| SIG5 | 2 (1510) | 3 (2010) | 4 (2510) | 967 mm | 790 mm | 970 mm |
| SIG15 | | | | | | |



IG



SIG

TABLA TDA / TDA CHART / TABLE TDA

ABIERTAS / OPEN / OUVERTS

| ISLAS TENERIFE | 2 | 3 | 4 | ISLAS TENERIFE | 2 | 3 | 4 | ISLAS TENERIFE | 2 | 3 | 4 |
|-----------------------|------|------|------|-----------------------|------|------|------|------------------------|------|------|------|
| IG1 (m ²) | 1,05 | 1,42 | 1,79 | IG5 (m ²) | 1,05 | 1,42 | 1,79 | IG15 (m ²) | 1,05 | 1,42 | 1,79 |

SOSTENIBLE / SUSTAINABLE / DURABLE

| ISLAS TENERIFE | 2 | 3 | 4 | ISLAS TENERIFE | 2 | 3 | 4 | ISLAS TENERIFE | 2 | 3 | 4 |
|------------------------|------|------|------|------------------------|------|------|------|-------------------------|------|------|------|
| SIG1 (m ²) | 1,01 | 1,34 | 1,68 | SIG5 (m ²) | 1,01 | 1,34 | 1,68 | SIG15 (m ²) | 1,01 | 1,34 | 1,68 |

PUNTO DE VENTA / IN POINT OF SALE / POINT DE VENTE



Exposición y conservación de alimentos, S.A.

Pol. Industrial El Campillo C/A, nº 1. Ctra. Marcilla-Funes, 31340 Marcilla, Navarra, España (Spain) Telf. (+34)948 708 292 Fax (+34)948 708 293



exkalsa@exkalsa.com
www.exkalsa.es



info@exkalsaconcept.com
www.exkalconcept.es

